

## Temperature Transducers

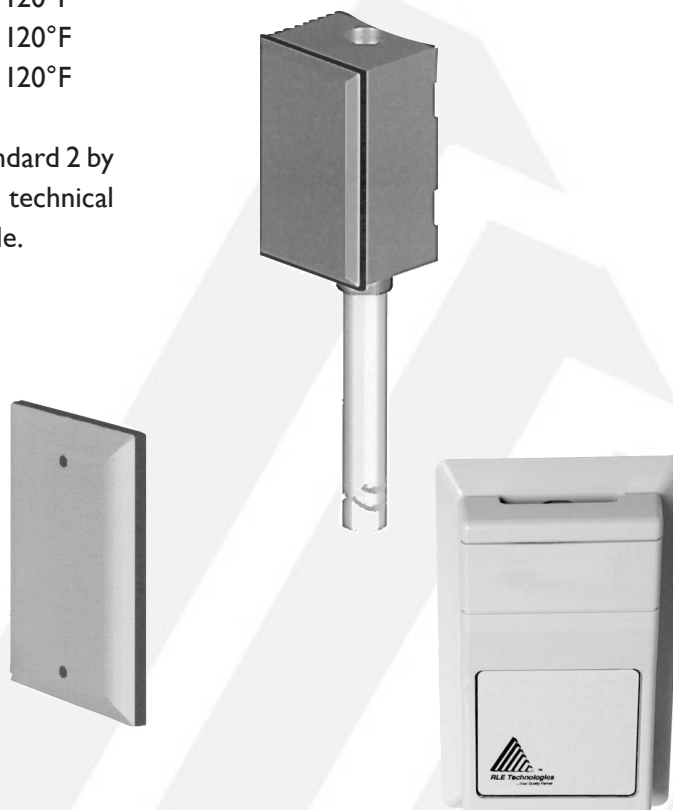
Independent monitoring of critical spaces is often desired to document ISO9000 and other quality related standards. The environmental transducers from RLE conform to standards created by the National Institute of Standards and Testing (NIST). These transducers are solid state devices specifically designed for connection to any analog controller.

Transducers operate on a two wire 4-20 mA loop powered circuit (8-35VDC).

Available Models:

<b>TI20</b>	-20°F to 120°F
<b>TI20-Plate</b>	-20°F to 120°F
<b>TI20-Outdoor</b>	-20°F to 120°F

All units can be mounted to a standard 2 by 4 inch electrical box. Additional technical data is printed on the reverse side.



### Features

- Outdoor Units Available
- Humidity is Temperature Compensated
- Simple Installation and Operation
- No Maintenance
- 4-20mA Output
- Electronic Design

# T120 Technical Data

## Range

T120	-20°F to 120°F (-29°C to 49°C)
T120-Plate	-20°F to 120°F (-29°C to 49°C)
T120-Outdoor	-20°F to 120°F (-29°C to 49°C)

## Altitude

-350 ft. to 15,000 ft.

## Storage Temperature

-40°F to 150°F (-40°C to 66°C)

## Dimensions

T120	2.75"W x 4.5"H x 1.0"D (70mmW x 114mmH x 25mmD)
T120-Plate	2.75"W x 4.5"H x .25"D (70mmW x 114mmH x 6mmD)
T120-Outdoor	2.75"W x 9.0"H x 3.5"D (70mmW x 228mmH x 88mmD)

## Weight

T120, T120-Plate	0.5 lbs (0.225kg)
T120-Outdoor	1.0 lbs (0.450kg)

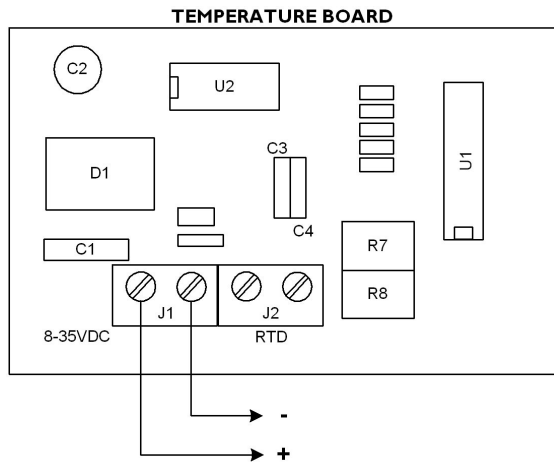
## Electrical Input

4-20mA - 2 wire loop powered (8-35VDC)

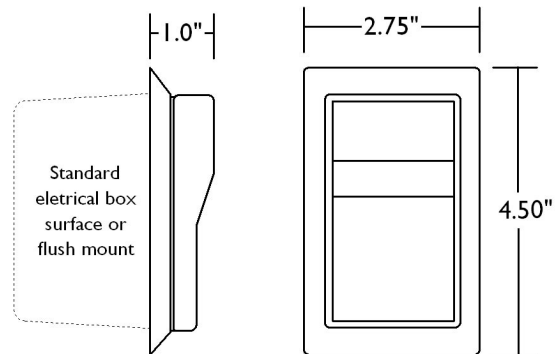
## Mounting

Vertical

## Interconnect Information T120, T120-Plate, T120-Outdoor



## Mechanical Drawing -T120



## RLE Technologies

208 Commerce Drive  
Fort Collins, CO 80524  
970.484.6510 TEL  
800.518.1519  
970.484.6650 FAX  
www.rletech.com

### Warranty

All RLE products are covered by factory parts and labor warranty for one year after date of shipment. To ensure warranty coverage, the installation instructions for the equipment must be followed properly.

### Disclaimer

Although every precaution has been taken to ensure the accuracy and completeness of this material, RLE Technologies assumes no responsibility, and disclaims all liability for damages resulting from use of this information or any error or omission in this document. Specifications are subject to change without notice.